

SUBONET is a local loop access optical network to deliver broadband services and full interactivity to accommodate current and future services. It integrates the broadband CATV services, high speed data communication, and voice over one single, flexible, and open system.

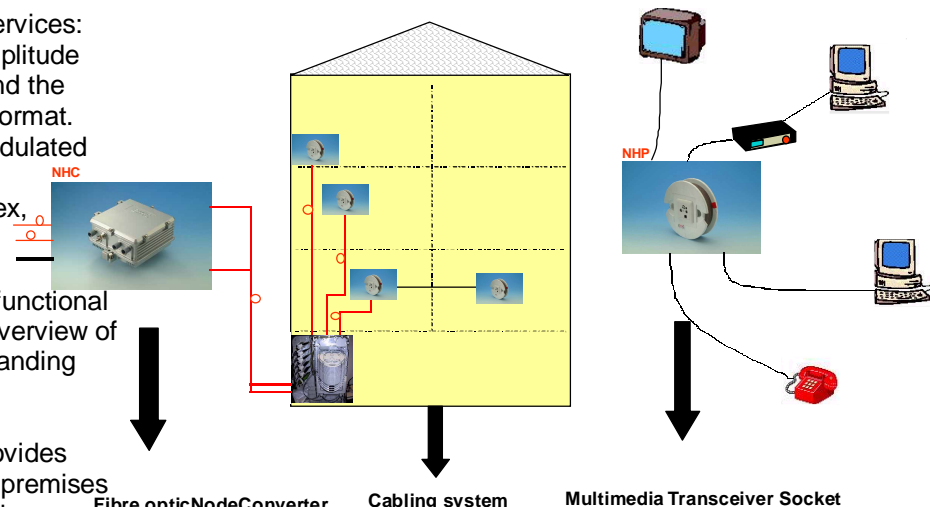
SUBONET ensures full compatibility with existing subscriber equipment and cable operator architecture.

System overview:

SUBONET provides a clear separation of services:

- One fibre carries the transmission of amplitude modulated analogue CATV programs and the broadcast digital programs in the QAM format.
- A second fibre carries the frequency modulated cable modem internet access.
- A further pair of fibres provides full duplex, high speed data communication.

SUBONET consists in a series of separated functional modules which provides a comprehensive overview of the network structure while offering an outstanding flexibility.



The Fibre Optic NodeConverter (NHC) provides signals to a group of business or residential premises in a similar manner to the optical node of a deep architecture HFC network. The level of sharing distributes the cost of the NHC over the number of subscribers connected to it. NHC serves as a cluster interface under operator control.

The Multimedia Transceiver Socket (NHP) serves as subscriber interface. It connects directly the customer equipment without any other interfaces. The NHP is equivalent in some respects to the standard TV socket, but unique in the amount of services available on it.

The advanced cable system ensures secure and safe connections between both units.

Features:

- ❑ Better transmission security thanks to a clear separation of services, the use of fibre and the point to point link for data communication.
- ❑ Modularity contributes to comprehensive architecture, ease of installation and maintenance.
- ❑ System flexibility offers the customers the opportunity to decide for themselves the capability and the capacity required to meet their needs.
- ❑ Ready for today and future-proof.
- ❑ User friendly, the customer simply connects and disconnects the appropriate equipment without additional units.
- ❑ Non exclusive solution, system is open to various building configurations and can be adapted to various network architectures.